

## Stylum

The Stylum line of speaker stands has been designed by audio specialists for audio fanatics. Their common structure is really functional.

The adjustable spikes, located on both the top and bottom plates, ensure ideal adjustment for a perfect stability of the installation. The anti-vibration system guarantees the best performances from your speakers.

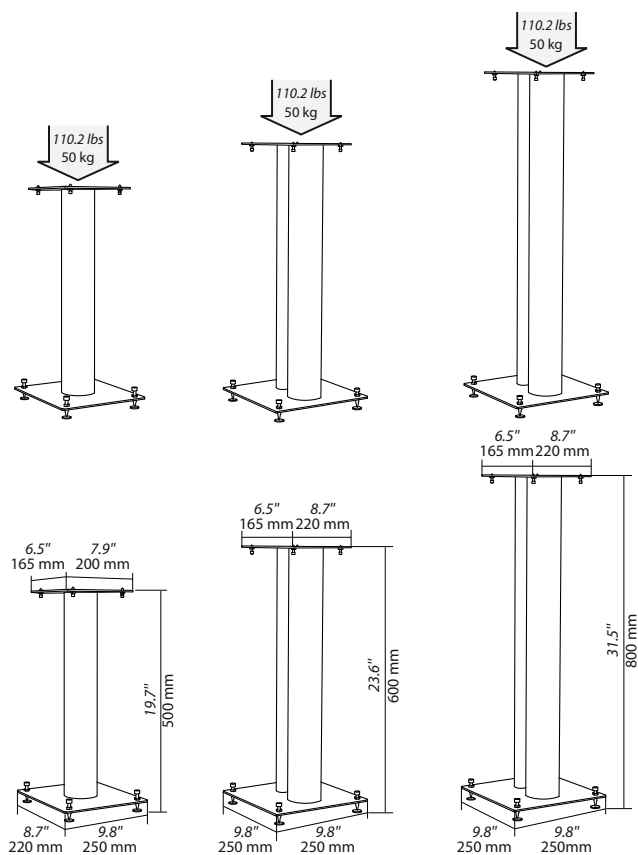
You can also add sand inside the main tube to lower the resonance frequency.



Stylum I    Stylum II    Stylum III



### SPECIFICATIONS



### DESIGN

**Finishes:** *Glossy Black or Silver*

**Structure:** Glossy black or silver powder coated steel

**Miscellaneous:** – Spikes or skidproof pads  
– Adjustable spikes and counter spikes  
– Cable management system

### MAXIMUM LOAD

**Speaker stand:** 110.2 lbs / 50 kg

### USABLE DIMENSIONS

#### Stylum I

**Top plate (W x D):** 7.9" x 6.5" / 200 x 165 mm

**Base plate (W x D):** 9.8" x 8.7" / 250 x 220 mm

**Height:** 19.7" / 500 mm

**Packaging dimensions (W x H x D):** 20.9" x 4.1" x 10" / 530 x 105 x 255 mm

**Gross weight:** 19.8 lbs / 9 kg – **Net weight:** 18.5 lbs / 8,4 kg

#### Stylum II

**Top plate (W x D):** 8.7" x 6.5" / 220 x 165 mm

**Base plate (W x D):** 9.8" x 9.8" / 250 x 250 mm

**Height:** 23.6" / 600 mm

**Packaging dimensions (W x H x D):** 24.8" x 4.1" x 11.2" / 630 x 105 x 285 mm

**Gross weight:** 25.8 lbs / 11,7 kg – **Net weight:** 24 lbs / 10,9 kg

#### Stylum III

**Top plate (W x D):** 8.7" x 6.5" / 220 x 165 mm

**Base plate (W x D):** 9.8" x 9.8" / 250 x 250 mm

**Height:** 31.5" / 800 mm

**Packaging dimensions (W x H x D):** 32.7" x 4.1" x 11.2" / 830 x 105 x 285 mm

**Gross weight:** 30 lbs / 13,6 kg – **Net weight:** 28.7 lbs / 13 kg

### PACKAGING

Delivered disassembled with screws kit, mounting instructions and tools

**Quantity/box:** 2 – **Type:** Brown cardboard

**GenCodes:** 3760108801509 (Stylum I / *Glossy Black*)

3760108801516 (Stylum I / *Silver*)

3760108801523 (Stylum II / *Glossy Black*)

3760108801530 (Stylum II / *Silver*)

3760108801547 (Stylum III / *Glossy Black*)

3760108801554 (Stylum III / *Silver*)

