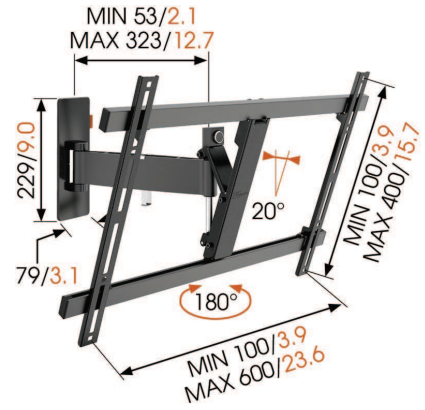


W52080 BLACK TURN 120 WALL MOUNT 40-65 INCH

THE VOGEL'S W52080 SWIVEL TV WALL MOUNT ALLOW YOUR FLAT SCREEN TV TO TURN UP TO 120 DEGREES (60 DEGREES LEFT AND 60 DEGREES RIGHT) AND TILT YOUR TELEVISION FORWARD UP TO 20 DEGREES. THE EASY ADJUST LEVEL MAKES SURE YOUR TV HANGS PERFECTLY HORIZONTAL.

MIN. TV SIZE (INCHES)	40"
MAX. TV SIZE (INCHES)	65"
MAX. WEIGHT OF TV (KG)	30
TURN	120
TILT	20
ALSO AVAILABLE IN THE COLOR:	WHITE
GUARANTEE	LIFE TIME
HOLE PATTERN (MM)	MIN. 100X200 / MAX. 600X400
MIN. DISTANCE TO THE WALL (MM)	55



mm/inch

W52080 BLACK TURN 120 WALL MOUNT 40-65 INCH

TILT YOUR TV EFFORTLESSLY WITH THE EASY-CLICK TILT SYSTEM. KEEP UNSIGHTLY CABLES OUT OF SIGHT WITH THE CABLE CLIP. THIS TV WALL BRACKET IS SUITABLE FOR 40-65 INCH (102-165 CM) TELEVISIONS WEIGHING UP TO 30 KG (66 LBS). GET THE PERFECT VIEW NO MATTER WHERE YOU ARE IN THE ROOM WITH THE BLACK W52080 SWIVEL WALL MOUNT FROM VOGEL'S.

FEATURES

- ALL TV MOUNTING MATERIALS INCLUDED: M4, M6 AND M8 BOLTS
- ALL WALL MOUNTING MATERIALS INCLUDED: SCREWS AND FISCHER® PLUGS
- EASY GUIDANCE OF YOUR CABLES
- EXPERIENCE THE BEST VIEW ANYWHERE IN THE ROOM
- GENERALLY USED FOR LIVING ROOM, HOME CINEMA AND BEDROOM
- MOUNT YOUR TV WITH (VESA) MOUNTING HOLES UP TO 600 X 400 MM
- STRAIGHT MOUNTING GUARANTEED THANKS TO EASY LEVEL ADJUSTMENT

LOGISTIC INFORMATION

EAN CODE PRODUCT	8712285326905
NET WEIGHT (KG)	3.62
SINGLE BOX WIDTH (MM)	349
SINGLE BOX LENGTH (MM)	617
SINGLE BOX HEIGHT (MM)	84

