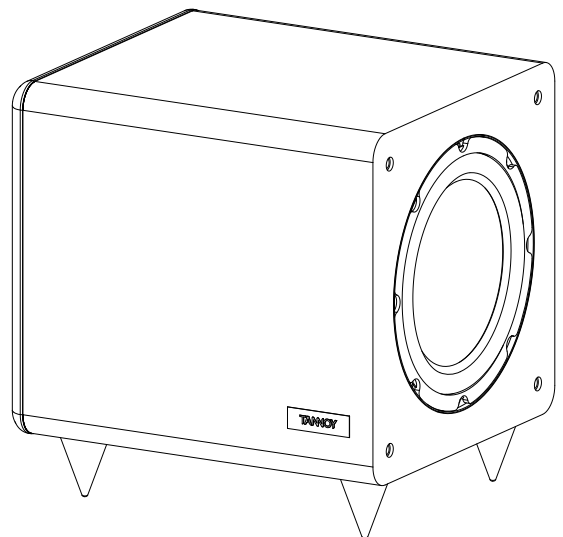




TS2.8 Sub

OWNER'S MANUAL



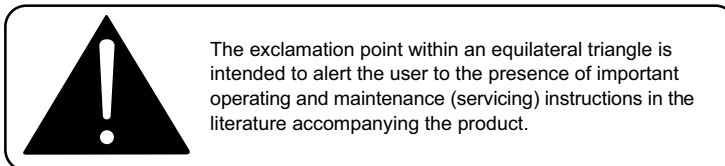
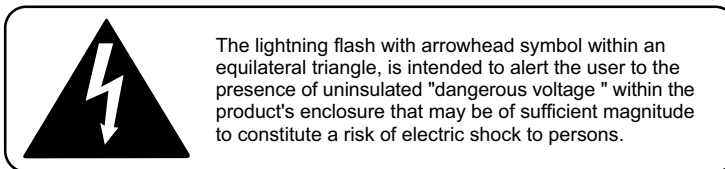
TS2.8 Sub

CONTENTS

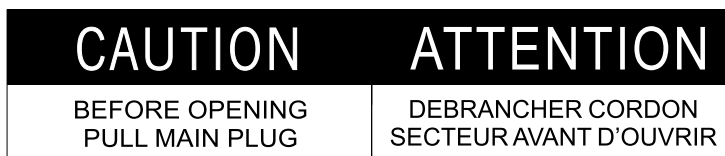
IMPORTANT SAFETY INSTRUCTIONS	03
WARNINGS	03
FUSE PROTECTION	04
WARNING: STRONG MAGNETIC FIELD	04
EMC / EMI	04
ECODESIGN STANDBY POWER CONSUMPTION	04
WARRANTY	04
UNPACKING	05
POSITIONING YOUR SUBWOOFER	05
CONNECTING YOUR SUBWOOFER	05
VOLUME CONTROL	05
PHASE SWITCH	05
STANDBY SWITCH	05
CABINET CARE	05
TECHNICAL SPECIFICATIONS	06
REAR PANEL	07

IMPORTANT SAFETY INSTRUCTIONS

1. Read these instructions.
2. Keep these instructions.
3. Heed all warnings.
4. Follow all instructions.
5. Do not use this apparatus near water.
6. Clean only with a dry cloth.
7. Do not block any ventilation openings. Install in accordance with the manufacturer's instructions.
8. Do not install near any heat sources such as radiators, heat registers, stoves, or other apparatus (including amplifiers) that produce heat.
9. Do not defeat the safety purpose of the polarized or grounding-type plug. A polarized plug has two blades with one wider than the other. A grounding-type plug has two blades and a third grounding prong. The wide blade or the third prong is provided for your safety. If the provided plug does not fit into your outlet, consult an electrician for replacement of the obsolete outlet.
10. Protect the power cord from being walked on or pinched, particularly at plugs, convenience receptacles, and the point where they exit from the apparatus.
11. Only use attachments/ accessories specified by the manufacturer.
12. Use only with a cart, stand, tripod, bracket, or table specified by the manufacturer, or sold with the apparatus. When a cart is used, use caution when moving the cart/ apparatus combination to avoid injury from tip-over.
13. Unplug this apparatus during lightning storms or when unused for long periods of time.
14. Refer all servicing to qualified service personnel. Servicing is required when the apparatus has been damaged in any way, such as power supply cord or plug is damaged, liquid has been spilled or objects have fallen into the apparatus, the apparatus has been exposed to rain or moisture, does not operate normally, or has been dropped.
15. Max. ambient temperature is 35 degree Celsius.
16. The use of apparatus in moderate climates.



The below warning is located on the rear of the unit:



WARNINGS

- Voltages in this equipment are hazardous to life. Do not open the unit – risk of electric shock inside. There are no user- serviceable parts inside. Refer all servicing to qualified service personnel.
- Make sure that the "Voltage Select" switch on the rear panel is set correctly for your area before connecting the mains plug.
- Use only with the detachable power cord supplied with the apparatus, or by your local distributor or dealer.
- The MAINS plug is used as the disconnect device and shall remain readily operable.
- To reduce the risk of fire or electric shock, do not expose this apparatus to rain or moisture and objects filled with liquids, such as vases, should not be placed on this apparatus.
- Do not install this device in a confined space.

FUSE PROTECTION

A mains fuse is provided on the back of this apparatus, which can only be removed with a screwdriver. This must be replaced by a fuse of the same type and rating (see specifications or refer to rear panel).

WARNING: STRONG MAGNETIC FIELD

Due to the powerful drive unit magnet, do not place within 1 metre (3 foot) of a cathode ray tube (CRT) television or monitor. There is no issue with plasma, LCD and LED devices.

EMC / EMI



This equipment has undergone safety and EMC testing, and complies with the European Low Voltage Directive Directive 2014/35/EU and Electromagnetic Compatibility Directives 89/336/EEC and 2014/30/EU.

Changes or modifications not expressly approved by Tannoy Ltd. for compliance could void the user's authority to operate the equipment.

ECODESIGN STANDBY POWER CONSUMPTION

This apparatus is designed to comply with EU Directive 2009/125/EC and Regulation 1275/2008. When in standby mode, power consumption is less than 0.5 W.

WARRANTY

No maintenance of the loudspeaker is necessary.

Please register your Tannoy product online at www.tannoy.com.

All of our products have been produced and tested with care and precision to give first-class service.

All passive components are guaranteed for a period of 5 years from the date of purchase from an authorised Tannoy dealer subject to the absence or evidence of misuse, overload, or accidental damage.

All active and electronic components are guaranteed for a period of 2 years from the date of purchase from an authorised Tannoy dealer subject to the absence of, or evidence of, misuse, overload or accidental damage. If at any time during this warranty period the equipment proves to be defective for any reason other than accident, misuse, neglect, unauthorised modification or fair wear and tear, we will repair any such manufacturing defect or, at our option, replace it without charge for labour, parts or return carriage.

If you suspect a problem with a Tannoy product, in the first instance, discuss it with your Tannoy dealer. If you require further assistance then we ask that you deal directly with your local Tannoy distributor. If you cannot locate your distributor please contact Tannoy Customer Services, at the address given below.

Customer Services, Tannoy Ltd., Rosehall Industrial Estate, Coatbridge, Strathclyde ML5 4TF, Scotland

Telephone: +44 1236 420199
Fax: +44 1236 428230
E-mail: enquiries@tannoy.com

DO NOT SHIP ANY PRODUCT TO TANNOY WITHOUT PREVIOUS AUTHORISATION.

UNPACKING

Check carefully for any sign of transit damage. In the unlikely event of transit damage, notify your shipping company and/ or dealer as soon as possible for advice. It is recommended you store all packaging to allow protected transport in future. Ensure that the following is present:

- Mains cord appropriate to your country of use.

POSITIONING YOUR SUBWOOFER

This subwoofer is designed to augment the low frequency output of your main or satellite loudspeakers in the context of typically a 2.1 or 5.1 system setup. It should be positioned on the floor, ensuring air can circulate freely around the rear panel. As the subwoofer only produces low frequencies, positioning is not critical. Bass output will increase next to a wall or especially in a corner, so use the volume control to compensate when experimenting to find the most suitable position.

CONNECTING YOUR SUBWOOFER

Always make and check all connections before plugging your subwoofer into the mains. Make sure that the Voltage Select switch on the rear panel is set to the correct voltage range.

LINE LEVEL INPUTS:

You can feed a line level input signal to your subwoofer by using either the single LFE phono input socket, or stereo Left and Right phono sockets. **Do not try to use both input options at once.**

The LFE input is a mono feed from your AV receiver. Low pass filtering is done within the receiver, typically at 80 Hz, but may be adjustable, in which case some experimentation may be required to achieve the most seamless integration to the satellite speakers. With this input, the "Frequency" filter control on the subwoofer has no effect.

For stereo or 2.1 operation, the Left and Right input sockets should be used. Here, the frequency control should be used to match in with the main speakers, starting with the control at 12 o'clock, and adjusting the crossover control to obtain an even tonal balance.

VOLUME CONTROL

The rear mounted volume control knob allows for the subwoofer output level to match that of the satellite or main speakers. Due to variability in room acoustics and personal taste, some adjustment may be needed for best results. The purpose of a subwoofer is to enhance the low frequency or bass performance of the main speakers, but not to overpower. Any distortion from the subwoofer indicates it is being over-driven, in which case the volume control should be turned down accordingly.

PHASE SWITCH

This is intended to best compensate for the relative distance between the listener, subwoofer and front or stereo speakers, so the outputs do not cancel in the crossover region. Start with the switch in the 0° position, then move to the 180° position. The correct setting is the one that provides the strongest bass output.

STANDBY SWITCH

This may be set to either AUTO or ON mode. In AUTO, the subwoofer will activate from power saving standby mode in the presence of an input signal, and drop back into power saving mode shortly after a period of no activity. In ON mode, the subwoofer remains powered at all times. Power off the mains switch, if unused for a long period of time.

CABINET CARE

The cabinet may be cleaned with a soft lint free cloth. The use of solvents or abrasive cleaners should be avoided.

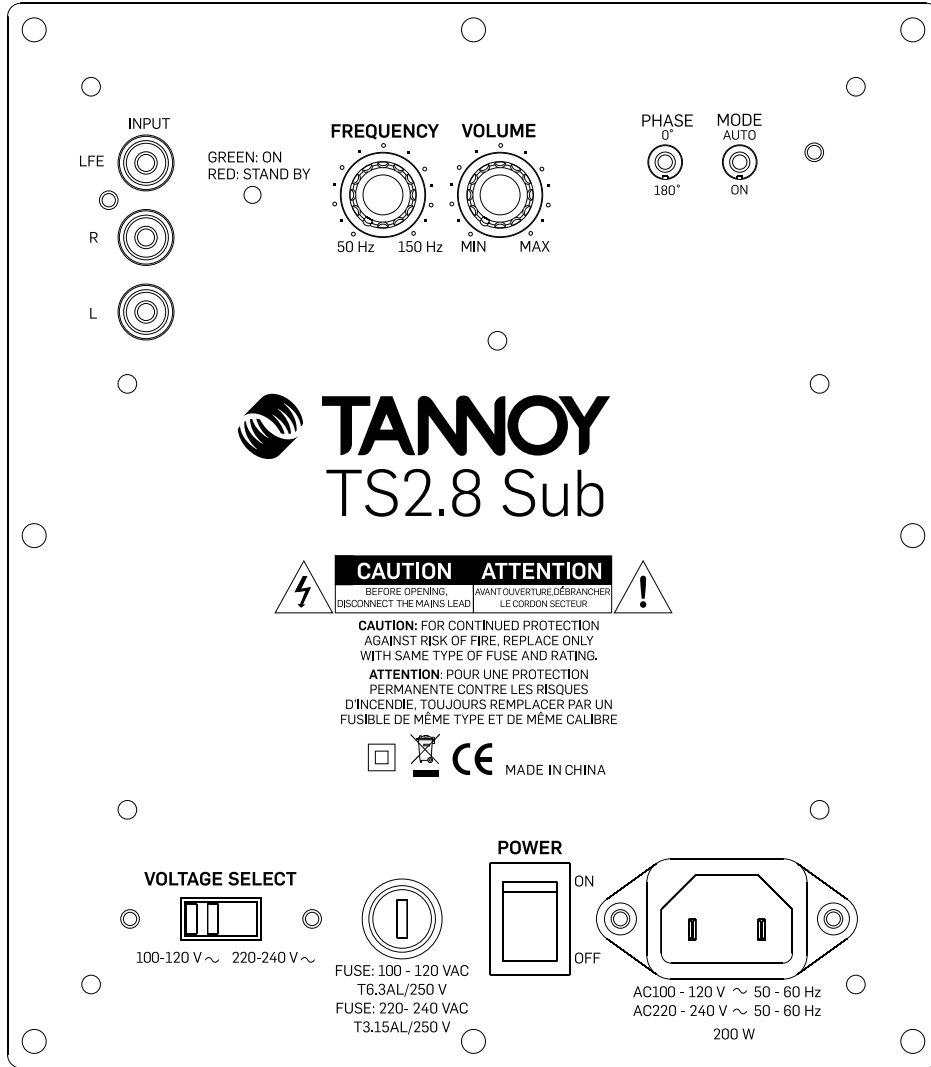


TECHNICAL SPECIFICATIONS

	TS2.8 SUB
PERFORMANCE	
Amplifier output power	180 W RMS
Low frequency roll off (-6 dB, typical in room)	34 Hz
Crossover frequency	50 - 150 Hz variable, 2nd order
Drive unit	200 mm (8"), long throw side firing woofer 200 mm (8"), long throw auxiliary bass radiator (ABR)
Magnetic shielding	No
Protection systems	Over temperature, switch on/off transient, over current, over-drive (clipping compressor)
Input connections	Phono (RCA) LFE and stereo left & right
User controls	Volume, crossover frequency, phase (0-180°, switchable), mode (auto/always on), mains on/off
Power supply voltage	100 - 120 V / 220 - 240 V (switchable) 50-60 Hz
Rated Maximum power consumption	200 W
Mains fuse	100 - 120 VAC T6.3 AL 250V/ 220- 240 VAC T3.15AL 250 V
Cabinet construction & finish	MDF with black fine texture vinyl
Cabinet dimensions (H x W x D) (incl. feet)	320 x 324.2 x 270 mm (12.6 x 12.8 x 10.6")
Weight	8.6 kg (19 lbs)

REAR PANEL

TS2.8 Sub



Tannoy Limited - product designed in the United Kingdom.
Tannoy adopts a policy of continuous improvement and product specification is subject to change.
All other trademarks remain the property of their respective owners.



tannoy.com